

TT950

BATTERY POWERED ELECTRIC PUSHER
WITH REMOTE CONTROL FOR SHOPPING CARTS

ZERO EMISSIONS

QUIET

LOW MAINTENANCE



Folding and height adjustable tiller for better comfort of use



Radio Remote control to manage shopping cart pushing



Two modes for handling on flat surfaces and on ramps



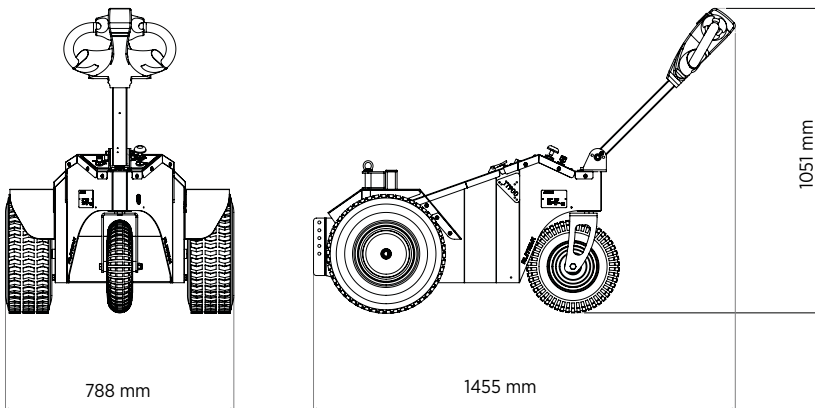
Adjustable accessory for shopping cart


MADE IN ITALY

The TT-950 is a three wheeled pedestrian pusher, with remote control designed to easily move shopping carts in supermarkets and shopping centers. It reduces the manual effort required to perform repetitive tasks, thereby improving productivity and reducing the chance of work related injuries. Its motor-power allows the handling to the parking area of 30 shopping carts on flat grounds. To grant a better visibility it is fitted with an operational flashing light.

ALITRAK[®]
ELECTRIC MINDED

www.alitrak.com



FEATURES

Equipment body	3 wheels
Driving wheels on differential	Garden type polyurethane filled
Driving control type	Remote control and foldable tiller
Accelerator	Butterfly type
Shopping cart attachment	external dimensions min. 518 mm max. 698 mm wheel support size 66 mm max rear wheel cart diameter 125 mm
Battery charger	External, 13 A High Frequency
Dashboard display	Remaining battery charge
Parking brake	Electromagnetic with the possibility of release
Batteries	AGM 2X12V/85 Ah C 20
Electric motor	24V/900 watt S1
Product net weight	185 kg abt

PERFORMANCES

Cart Pushing capacity on flat surface	30 shopping carts
Max pushing speed on flat surface mode	4km/h abt
Battery recharging time	8 hours abt

Features shown are subject to change without notice

