

# MT500P

BATTERY-POWERED ELECTRIC MINI-DUMPER  
FOR LOADS **UP TO 500 KG\***

ZERO EMISSIONS

QUIET

LOW MAINTENANCE



**High load motor axles**



**Easy -tipping lever**



**Quick skip release  
attachment for fast  
replacement**



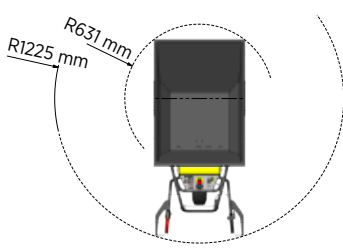
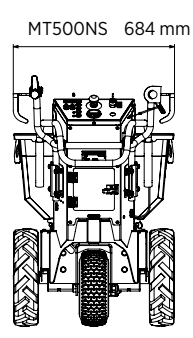
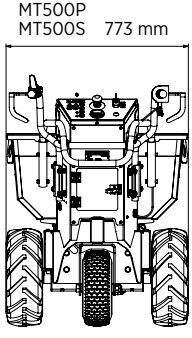
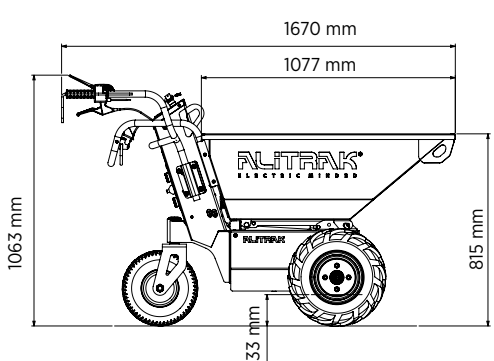
**Speed switch to operate  
in narrow spaces and on  
slopes.**

  
MADE IN ITALY

The MT-500 is a mini-dumper equipped with three wheels, with a solid steel structure. It is designed with motor, batteries and other component protected to work in construction, demolitions and industry. It is also useful in agriculture, and in garden building works. The full control with reduced effort of the skip emptying operation is granted by the "Easy tipping lever". The "Performance" version here described, is suitable for particularly heavy works and is equipped with high load motor axles and hours meter (ideal for rental situations). Anchor points for the machine lifting are included in the standard version.

**ALITRAK**<sup>®</sup>  
ELECTRIC MINDED

[www.alitrak.com](http://www.alitrak.com)



### FEATURES

Equipment body	<b>3 wheels</b>
Driving wheels on differential	
MT500P/MT500S	<b>Tractor type</b>
MT500NS	<b>narrow tractor type</b>
Skip	<b>180 Lt</b>
MT500P/MT500S	<b>160 Lt</b>
MT500NS	
Driving control type	<b>Handlebars</b>
Accelerator	<b>Hand-grip type</b>
Direction change	<b>Lever on handlebars</b>
Battery charger	<b>On board 13A High Frequency</b>
Dashboard display	<b>Remaining battery charge</b>
	<b>Equipment failures</b>
	<b>Hour meter</b>
Parking brake	<b>Electromagnetic</b>
AGM Batteries	<b>2 x 12V/85 Ah C20</b>
Electric motor	<b>24V / 1200 watt AC S2 60 min</b>
MT500P	<b>24V / 900 watt S1</b>
MT500S/MT500NS	
Product net weight	<b>190 kg abt</b>

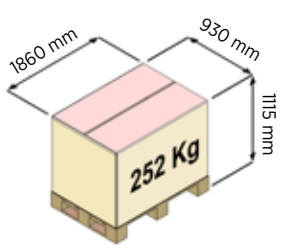
### PERFORMANCE

Loading capacity on flat surface*	MT500P	<b>500 kg</b>
	MT500S/MT500NS	<b>400 kg</b>
Max gradient*		<b>20%</b>
Forward speed:		
Fast		<b>5 Km/h abt</b>
Slow		<b>2,5 Km/h abt</b>
Reverse speed:		
Fast		<b>3 Km/h abt</b>
Slow		<b>1,5 Km/h abt</b>
Battery recharging time		<b>8 hours abt</b>

\*The loading capacity is an indication that can change depending on the type of surface, on the slope degree and on the working time of the machine.

Features shown are subject to change without notice

### ACCESSORIES



www.alitrak.com