

JT300L-P

BATTERY-POWERED ELECTRIC CARRIER ON WHEELS
FOR LOADS **UP TO 500 KG***

ZERO EMISSIONS

QUIET

LOW MAINTENANCE



Flatbed with removable sides



Equipment body on 4 wheels for better stability on rough surfaces



Tilting tiller with micro safety switch and automatic return to rest position



Precise handling thanks to the two steering wheels on swing axle

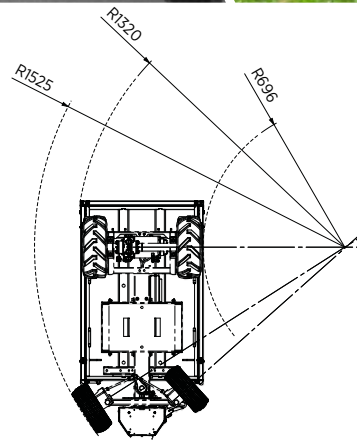
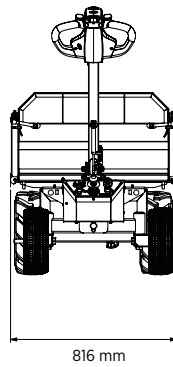
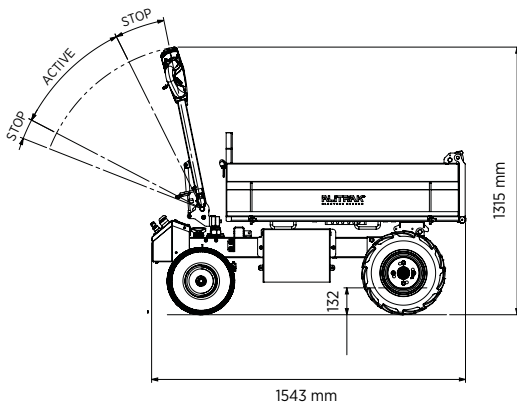


MADE IN ITALY

The JT-300LP is a four wheels carrier. The tilting tiller, which acts on the steering wheel, offers great control and easy handling. It has an accelerator operated by the thumb, allowing the use of only one hand. This carrier is ideal for both indoor and outdoor work, in greenhouses and in nurseries. It can push or pull without effort. The 260-liter flatbed is perfect for the rail industry, in Primary care trust centers, in hotels, in greenhouses and nurseries, for gardening and in livestock paddocks.

ALITRAK[®]
ELECTRIC MINDED

www.alitrak.com

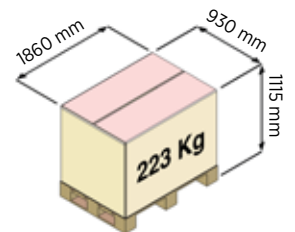


FEATURES

| | |
|--------------------------------|--|
| Equipment body | 4 wheels |
| Driving wheels on differential | Garden type |
| Driving control type | Tiller |
| Accelerator | Butterfly type |
| Battery charger | External, 13A High Frequency |
| Dashboard display | JT300L-P Remaining battery charge |
| | JT300L-S Remaining battery charge |
| | JT300L-E Remaining battery charge |
| Parking brake | Electromagnetic |
| AGM batteries | 2 x 12V/85 Ah C20 |
| Electric motor | JT300L-P 24V / 1200 Watt S2 60 Min. |
| | JT300L-S 24V / 900 Watt S1. |
| | JT300L-E 24V / 600 Watt S2 20 Min. |
| Product net weight | from 173 kg abt |

PERFORMANCES

| | |
|------------------------------------|------------------------|
| Loading capacity on flat surfaces* | JT300L-P 500 kg |
| | JT300L-S 400 kg |
| | JT300L-E 300 kg |
| Max gradient* | 20% |
| Forward speed: | |
| Fast | 5 Km/h abt |
| Slow | 2,5 km/h abt |
| Reverse speed: | |
| Fast | 3 Km/h abt |
| Slow | 1,5 Km/habt |
| Battery recharging time | 8 hours abt |



*The loading capacity is an indication that can change depending on the type of surface, on the slope degree and on the working time of the machine.

Features shown are subject to change without notice

ACCESSORIES



Electric lifter for flatbed tipping



Different tyres and tread profiles



Anti flat tire treatment by polyurethane filled wheels

ALITRAK[®]
ELECTRIC MINDED

www.alitrak.com