

DT1000

BATTERY-POWERED ELECTRIC DUMPER
FOR LOADS **UP TO 1000 KG***

ZERO EMISSIONS

QUIET

LOW MAINTENANCE



Equipment body on 4 wheels for better stability in uneven surfaces



Integrated battery charger with charge status information



Hydraulic skip lifting by switch on dash board, to reduce working effort



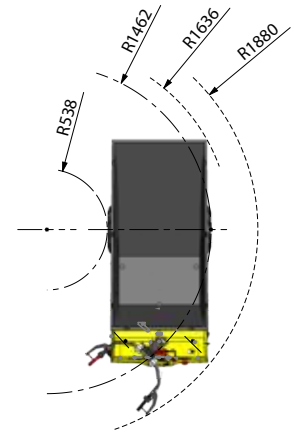
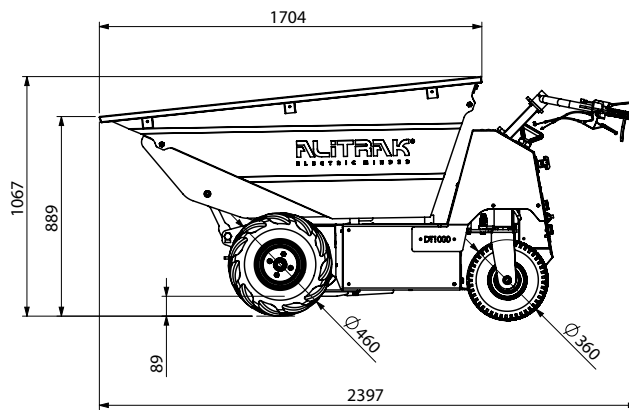
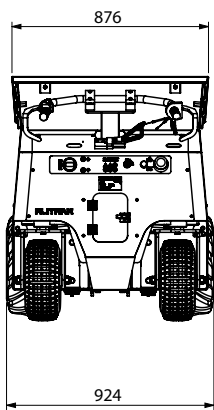
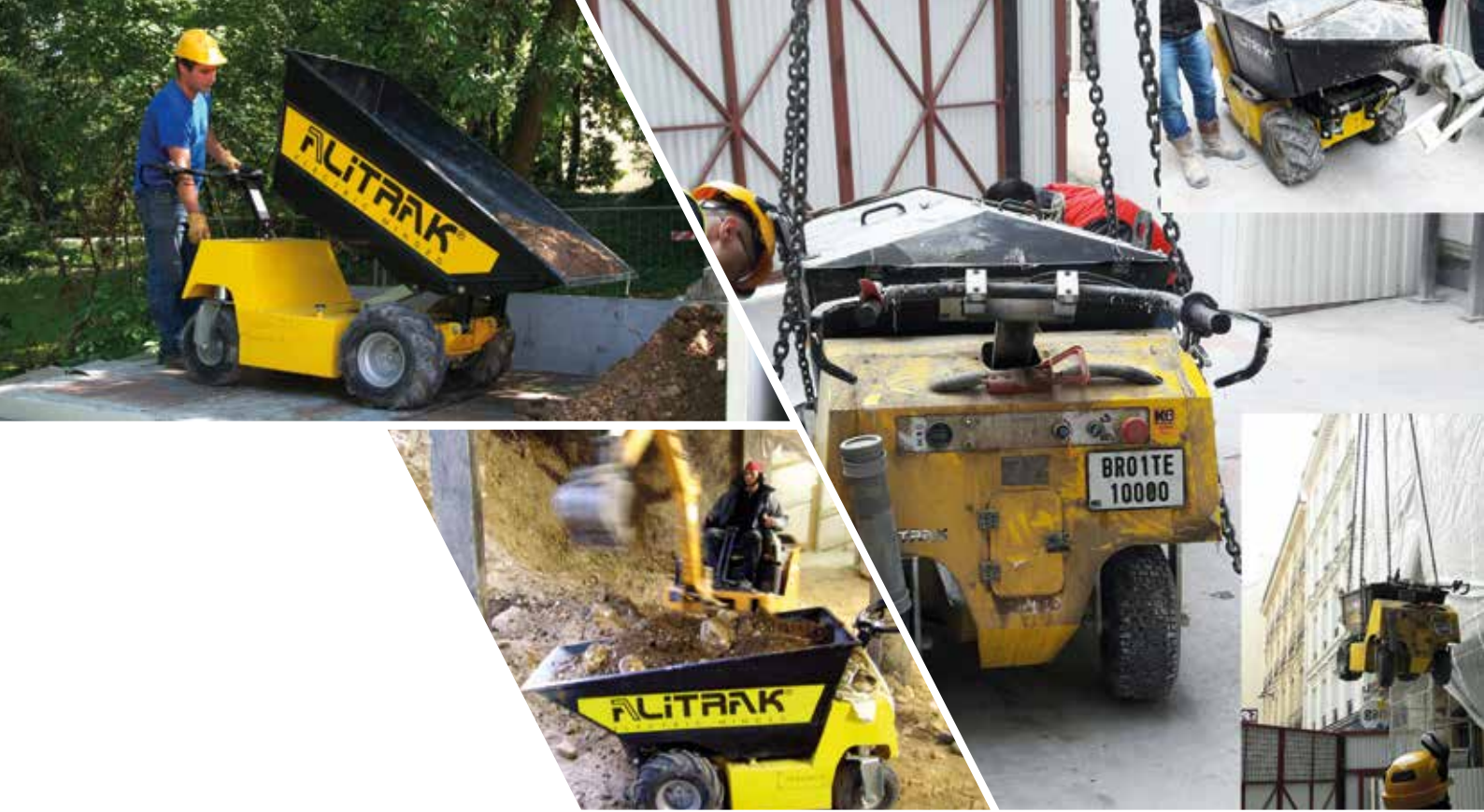
Direction change (forward-reverse) by lever on handlebars



The DT-1000 is a dumper with a robust steel structure. It is equipped with a powerful motor, designed to perform the toughest jobs in construction, demolitions, industry and agriculture. The hydraulic pump drives the tipping mechanism of the skip. The mechanism of direct steering is driven by the handlebars. Different configurations are possible by choosing among available types of tires.

ALITRAK[®]
ELECTRIC MINDED

www.alitrak.com



FEATURES

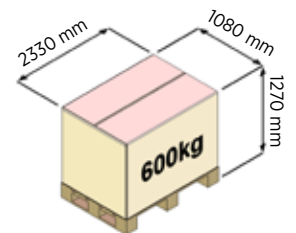
Equipment body	On 4 wheels
Driving wheels on differential	Tractor type
Skip	500 lt.
Driving control type	Handlebars adjustable in height
Accelerator	Hand-grip type
Direction change	Lever on handlebars
Battery charger	Integrated, 25A High Frequency, with charge status information
Dashboard display	Remaining battery charge Equipment failures Hour meter
Parking brake	Electromagnetic
AGM batteries	4 x 12V/115 Ah C20
Electric motor	24V/3000 watt AC S2 60 min
Product net weight	520 kg abt

PERFORMANCES

Loading capacity on flat surface*	1000 kg
Max gradient - Loading capacity*	20% - 500 kg
Forward speed	5 Km/h abt
Reverse speed	2,5 Km/h abt
Battery recharging time	8 hours abt

*the loading capacity is an indication that can change depending on the type of surface, on the slope degree and on the working time of the machine.

Features shown are subject to change without notice



ACCESSORIES



Skip extension



Different tyres and tread profiles



Anti flat tyre treatment by polyurethane filled wheels

ALITRAK[®]
ELECTRIC MINDED

www.alitrak.com